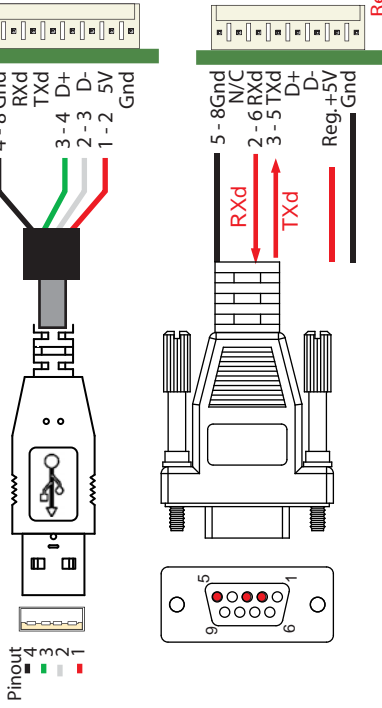


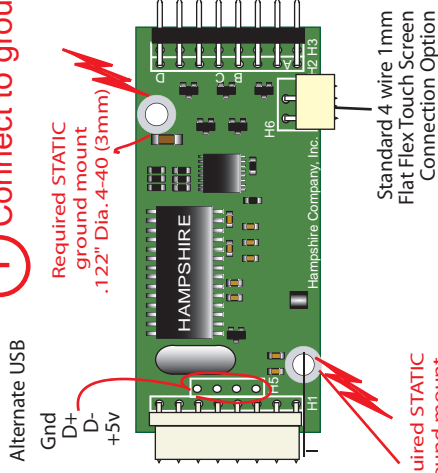
Hampshire TSHARC™ - Devil Ray quick view kit assembly diagram



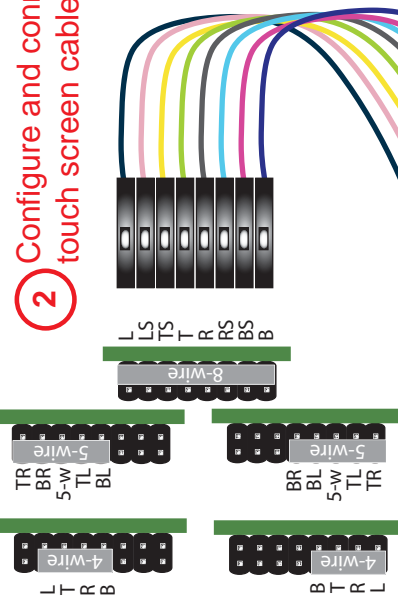
3 Configure and connect communication cable



1 Connect to ground



4 Connect 5vDC (80mA typical) power



2 Configure and connect touch screen cable.

Follow these steps:

- 1) Connect to ground
- 2) Configure and connect touch screen cable
- 3) Configure and connect communication cable
- 4) Connect 5vDC power (if necessary)
- 5) Turn on computer
- 6) Install TSHARC drivers
- 7) Follow instructions on screen

Note: If you are using a USB hub to connect the TSHARC Devil Ray controller, the hub must have sufficient power for all devices attached. Check your hub specifications to insure that it is capable of powering all devices attached.