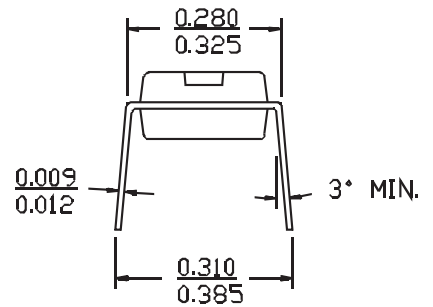
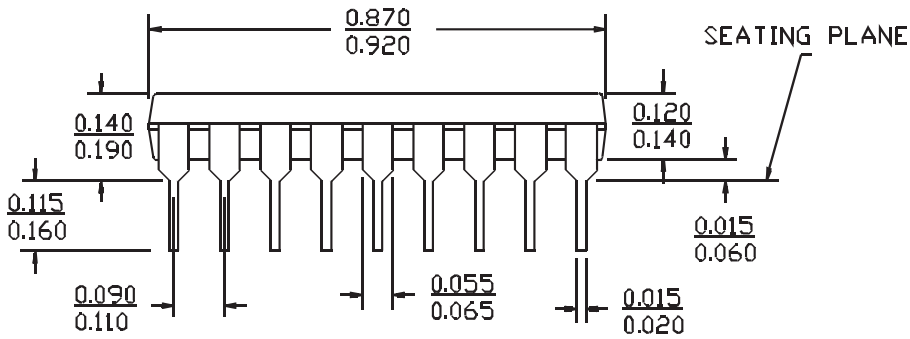
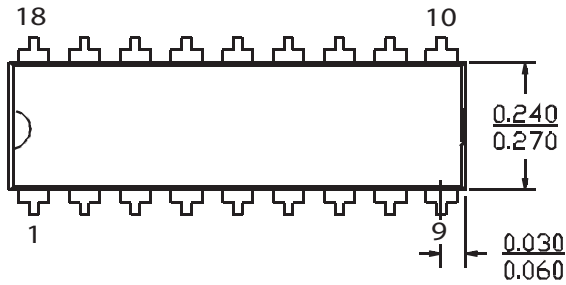


### 18-Lead (300-Mil) Molded DIP P3

DIMENSIONS IN INCHES MIN.  
MAX.



51-85010-A